



Heyco® -Tite Brass Liquid Tight Cordgrips

PG Hubs

The Ultimate in Liquid Tight Strain Relief Protection

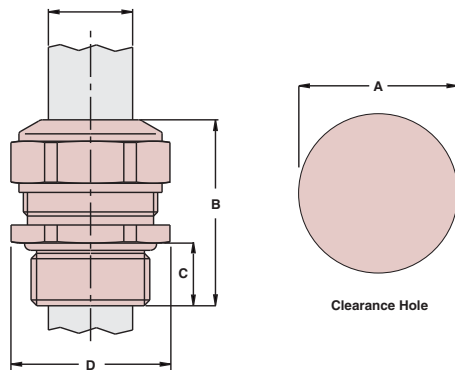


CABLE DIA. RANGE				PART NO.	THREAD SIZE	UL or IEC	PART DIMENSIONS							
Minimum		Maximum					A		B		C		D	
in.	mm.	in.	mm.				Clearance Hole Dia.	Max. O.A. Length	Thread Length	Wrenching Nut Flat Size	in.	mm.	in.	mm.
.138	3,5	.197	5,0	4530	PG 7	cULUS	.500	12,7	1.063	27,0	.394	10,0	.590	15,0
.197	5,0	.256	6,5	4531										
.256	6,5	.315	8,0	4532										
.256	6,5	.295	7,5	4611*	PG 7	cULUS	.500	12,7	.906	23,0	.236	6,0		
.138	3,5	.177	4,5	4533	PG 9	cULUS	.610	15,5	1.181	30,0	.394	10,0	.709	18,0
.177	4,5	.236	6,0	4534										
.236	6,0	.315	8,0	4535										
.315	8,0	.413	10,5	4536										
.157	4,0	.216	5,5	4537	PG 11	cULUS	.748	19,0	1.220	31,0	.394	10,0	.827	21,0
.216	5,5	.335	8,5	4538										
.335	8,5	.472	12,0	4539										
.236	6,0	.315	8,0	4540	PG 13.5	cULUS	.827	21,0	1.220	31,0	.394	10,0	.945	24,0
.315	8,0	.433	11,0	4541										
.433	11,0	.590	15,0	4542										
.236	6,0	.315	8,0	4543	PG 16	cULUS	.906	23,0	1.220	31,0	.394	10,0	.945	24,0
.315	8,0	.433	11,0	4544										
.433	11,0	.590	15,0	4545										
.374	9,5	.492	12,5	4546	PG 21	cULUS	1.142	29,0	1.457	37,0	.472	12,0	1.181	30,0
.492	12,5	.630	16,0	4547										
.630	16,0	.807	20,5	4548										
.630	16,0	.748	19,0	4549	PG 29	cULUS	1.476	37,5	1.575	40,0	.472	12,0	1.496	38,0
.748	19,0	.905	23,0	4550										
.905	23,0	1.083	27,5	4551										
.846	21,5	1.024	26,0	4552	PG 36	cULUS	1.858	47,2	1.850	47,0	.591	15,0	1.969	50,0
1.024	26,0	1.201	30,5	4553										
1.201	30,5	1.378	35,0	4554										
1.142	29,0	1.299	33,0	4555	PG 42	cULUS	2.138	54,3	1.929	49,0	.591	15,0	2.156	55,0
1.299	33,0	1.457	37,0	4556										
1.457	37,0	1.654	42,0	4557										

NEW!

- Nickel plated brass construction for superior protection of flexible cables.
- Nickel-plated finish over brass provides excellent corrosion resistance and durability.
- IP 68 rated.
- For use in clearance or threaded holes.
- Long PG threads provide additional threads for easy locknut assembly.
- Multiple sizes for flexible cord diameters ranging from .138" (3,5 mm) to 1.654" (42,0 mm).
- We recommend using the smallest cordgrip that accommodates your cable size.
- Sealing gland is molded in Thermoplastic Polymer Elastomer (TPE) Material.
- **Locknuts not included.** For metal locknut specifications or to order locknuts separately, see section 3 in Heyco's Power Components Catalog or go to www.heyco.com.

*Short .236" (6,0 mm) thread



Material	Nickel-Plated Brass w/TPE Sealing Gland
Certifications	cULUS Certified by UL for Compliance with both Canadian and U.S. requirements under File E51579. cULUS Recognized under the Component Program of Underwriters' Laboratories File E51579 to both Canadian and U.S. requirements.
Temperature Rating	-40°F (-40°C) to 212°F (100°C)
IP Rating	IP 68

Quick
Specs

Mouser Electronics

Authorized Distributor

Click to View Pricing, Inventory, Delivery & Lifecycle Information:

[Heyco:](#)

[3449](#) [3454](#) [3444](#) [3447](#) [3445](#) [3448](#) [3455](#) [3446](#) [3207](#) [3211](#) [3226](#) [3214](#) [3217](#) [3213](#) [3220](#) [3208](#) [4534](#) [4531](#)